



The CHEREAU Bumper

The BC (CHEREAU Bumper) rear end is a chassis-mounted system that considerably reduces body damage due to impacts when docking.

Principle: Make the dock/contact function entirely independent of the shock absorbing function by ensuring that the impact energy is absorbed by the chassis.



The CHEREAU Bumper is an exclusive option available on all CHEREAU articulated trailer chassis, and on the chassis-cabs* of all constructors, **with or without rear loading platform.**

The complete kit can be installed on an operational CHEREAU vehicle body. The kit is distributed by CHEREAU Services and can only be installed by an approved Service Agent.

The BC rear-end system is covered by a **European patent.**

** Certain exceptional configurations (e.g. short rig, hook, etc.) require preliminary technical validation.*

Simple

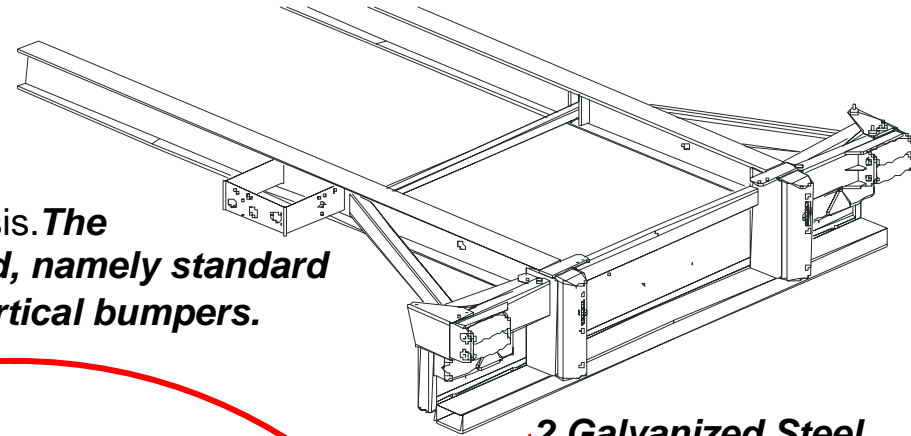
Strong

Effective

"Bumper-C"

The CHEREAU Semitrailers Bumper

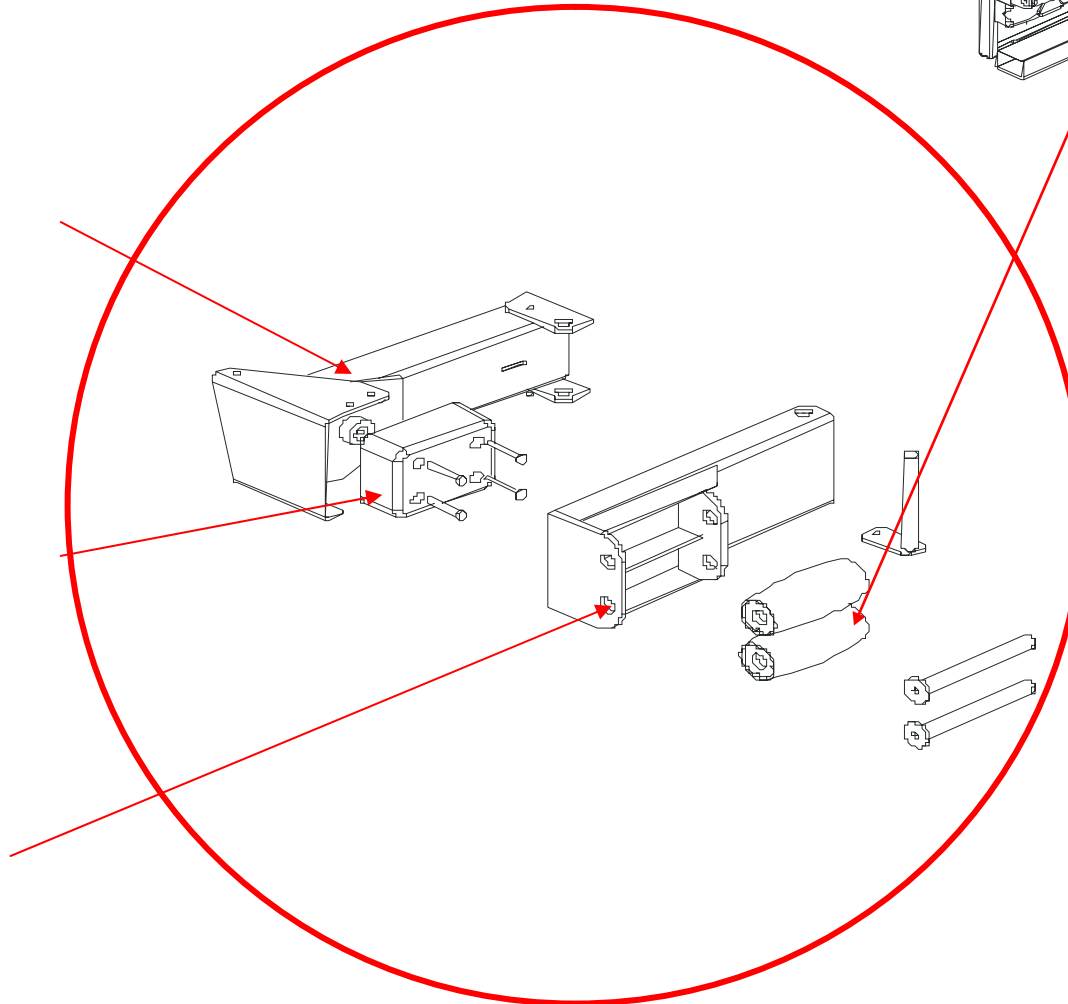
2 identical modules arranged laterally outside the chassis. **The system allows for the usual equipment to be installed, namely standard lift hitch, step, meat ramp, etc. whilst retaining the vertical bumpers.**



Steel system support **Arm**.
Functional and durable

Rubber Silentbloc
Durable shock absorber which always operates in the same direction

Suspension Arm
This protects the Silentbloc and supports the rollers



2 Galvanized Steel Rollers

Very high impact resistance and aesthetically pleasing. The bowed shape optimises contact with the bay however the vehicle is aligned.

The rollers are freely mounted on an axle and rotate during raising and lowering manoeuvres to cut out shearing.

Simple

Strong

Effective

“Bumper-C”

**CHEREAU
exclusiv !**

CHEREAU

The CHEREAU Truck Bumper

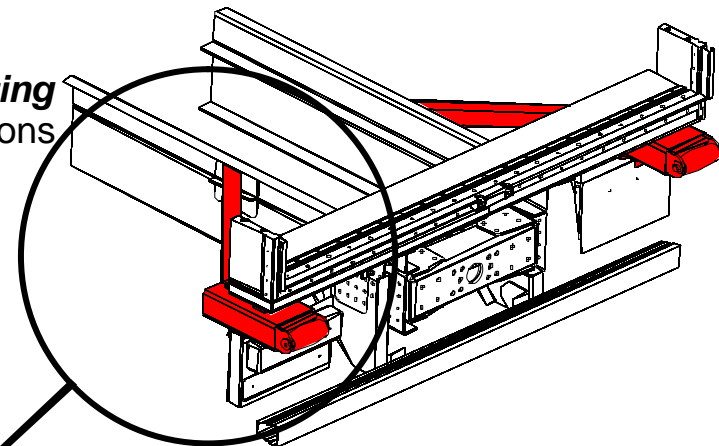
Simple

Strong

Effective

“Bumper-C”

2 identical modules installed laterally outside the chassis. **The system allows the traditional equipment to be installed: Standard lifting platform, step positions, meat steps...!** Certain exceptional configurations (e.g. short rig, hook, etc.) require preliminary technical validation.



System support arm

(adapted to each model of truck chassis) and **slide case** in steel.

Functional and robust.

CH11054

Rubber damper (silent block)

Damper that always works in the same direction.

CH11284

CH204657

Push-rod guides (x4) in brass **to ensure that the push-rod slides smoothly in the case.**

CH11192 ou 11193

1 steel roller with zinc-plating surface treatment.

Robust and attractive.

The convex shape optimises docking contact conditions, irrespective of vehicle alignment. Mounted on a spindle, it rotates during raising and lowering operations, and prevents any shearing action.

CH210000

CH21003

Roller spindle

Impacts are transmitted through the **push-rod**, to the silent block. The essential element of the system, more than robust enough for all applications.